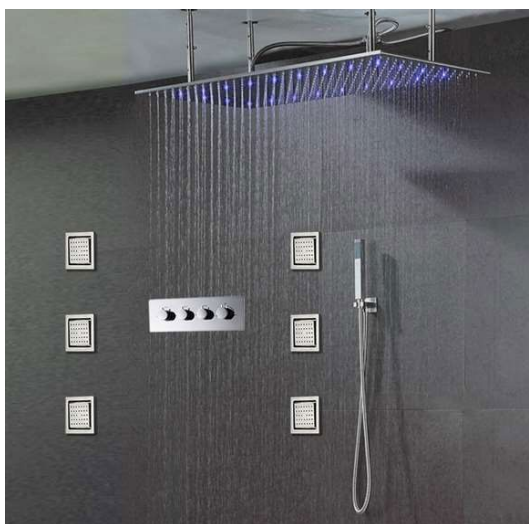
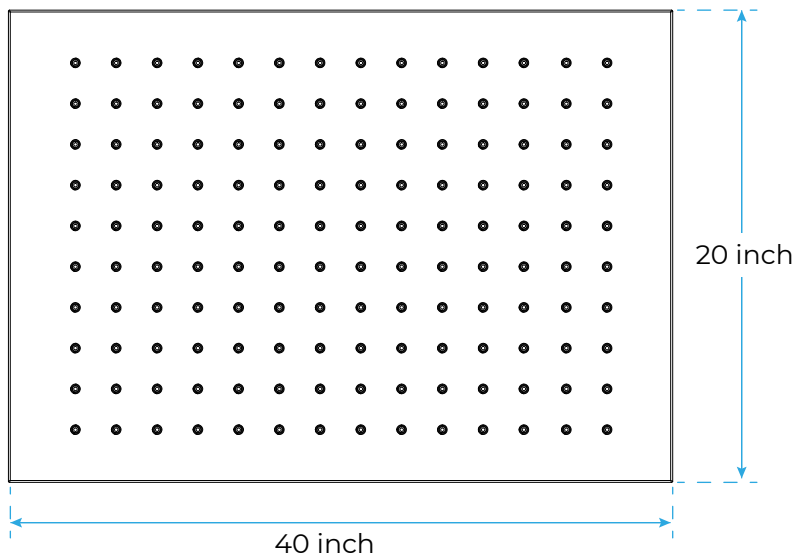


## LIMA LUXURY STAINLESS STEEL SHOWER SET SPECIFICATIONS

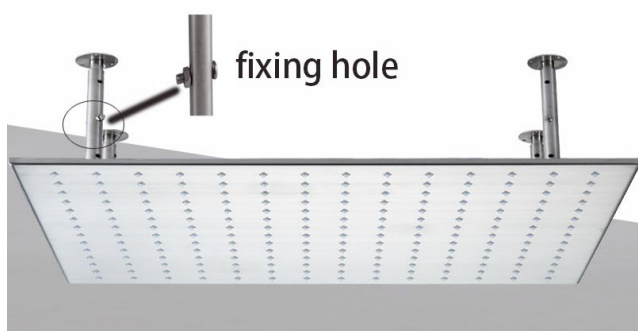


Shower Head

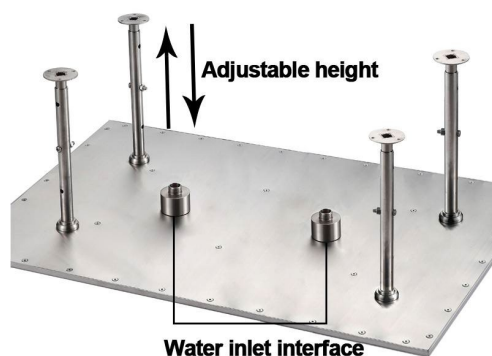


### Specifications

- Constructed from stainless steel for durability and reliability.
- High quality, corrosion resistant finish options: brushed nickel, chrome.
- Shower head comes in size of 20" x 40" (500mm x 1000mm) and has two water inlets.
- Not suitable for low pressure. Recommended water pressure is 0.3~0.6 MPa (3~6 bar). Flow rate 2.5 GPM (9.5 LPM).
- Four sets of ceiling support poles are included, length adjustable between 10.24" (260mm), 13.39" (340mm) and 16.54" (420mm).



Product shown is only for installation display purpose



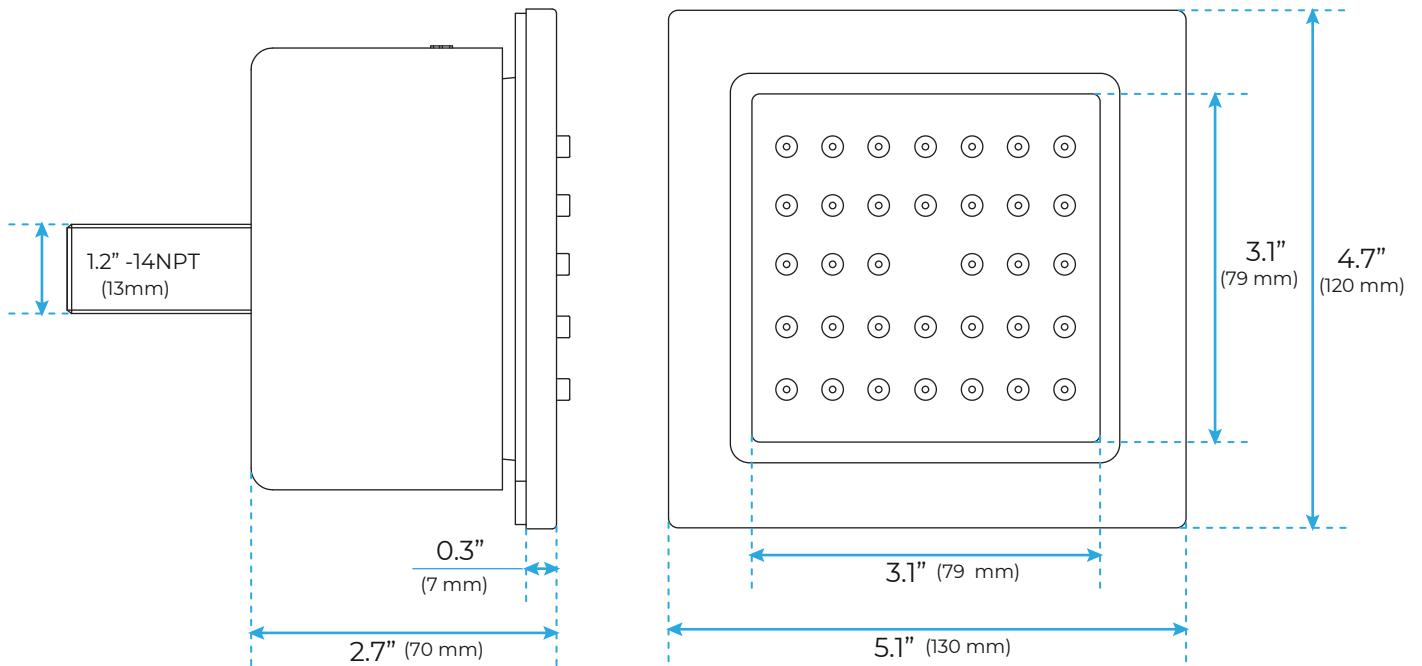
### (If you have opted for LED option)

The LED light will change its color by detecting water temperature:

- 0-30°C (32-86°F): Blue LED ■
- 30-40°C (86-104°F): Green LED ■
- 40-50°C (104-122°F): Red LED ■
- 50-100°C (122-212°F): Flashing Red LED ■ ■ ■

**Note:** The LED lights are powered by water flow, and will be activated once the water is turned on.

## Body Jet

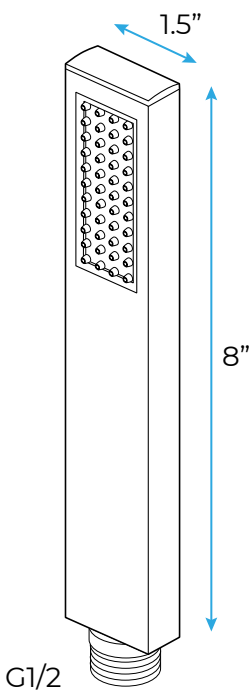


### FEATURES

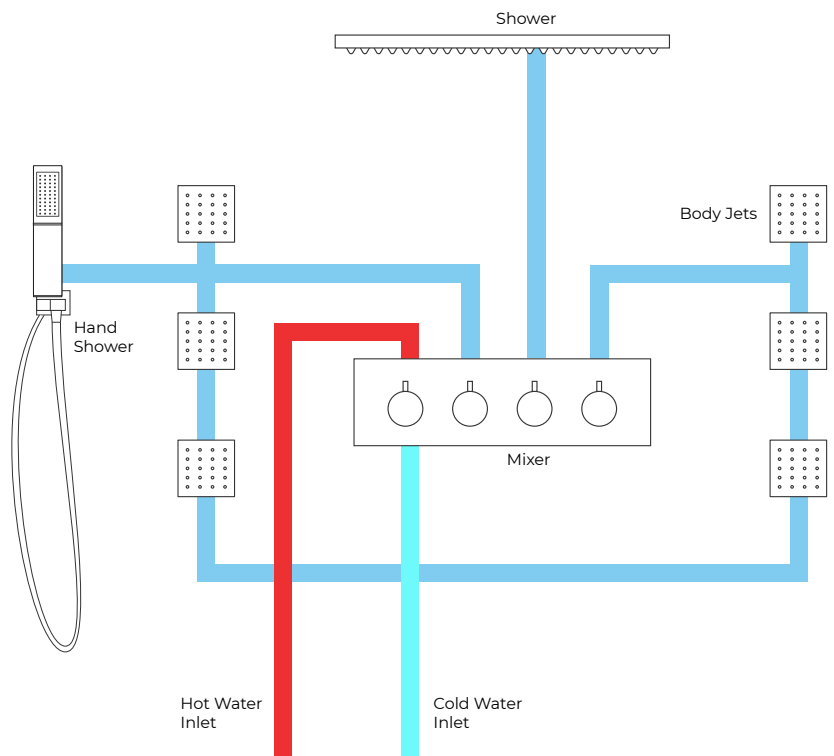
Material: Brass  
 Base Plate Height: 5-1/8"  
 Base Plate Width: 5-1/8"  
 Jet Surface Area: 3-1/8"

Surface Depth: 1/4"  
 Adjustment Angle: 5°  
 Male NPT Connection: 1/2"  
 Maximum Flow Rate: 2.5 GPM (9.5L/min) max @ 80 psi

## Hand Shower



## Shower Mixer Connections



Flow Rate: 2.0 GPM / 7.6 LPM

All dimensions and specifications are nominal and may vary. Use actual products for accuracy in critical situations.